

FIG.-36:
LONG SECTION OF RCC LINTEL

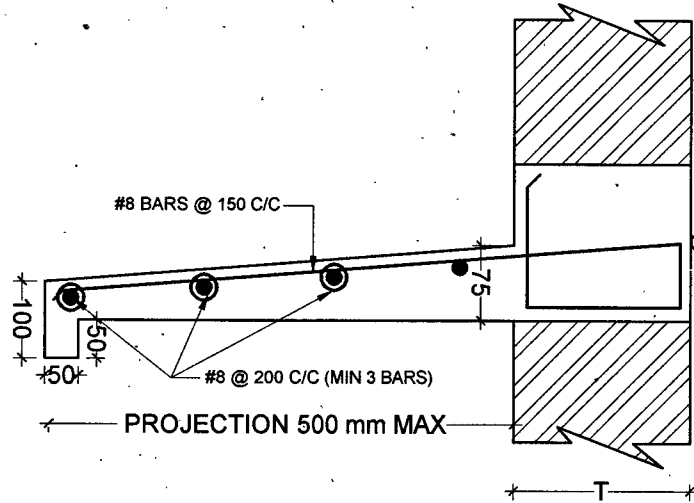


FIG.-37:
TYPICAL CROSS SECTION OF CHAJJA WITHOUT FASCIA

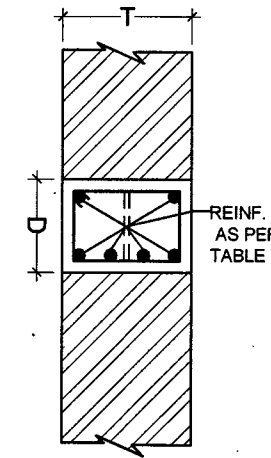
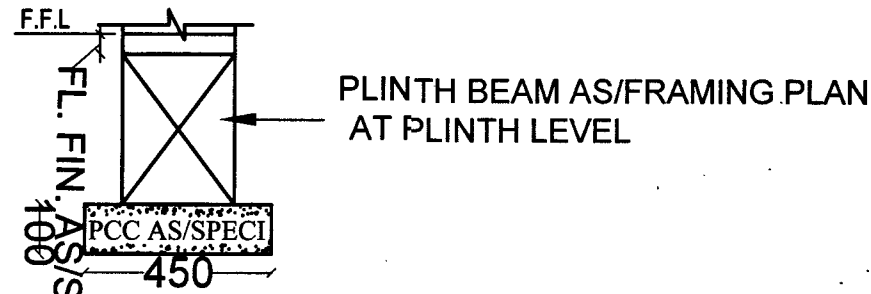


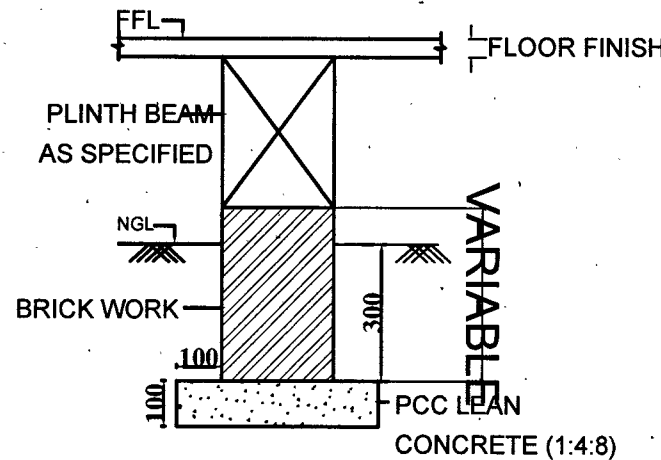
FIG.-38:
CROSS SECTION OF LINTEL WITHOUT CHAJJA

NOTE:- LINTEL REINFORCEMENT NOT SHOWN FOR CLARITY

104 A. INTERNAL PLINTH BEAM SHALL BE LAID ON SUB-BASE OF 75 TH PCC 1:4:8 WHERE EVER SHUTTERING IS NOT FEASIBLE DUE TO DEPTH OF PLINTH BEAMS. EXTERNAL PLINTH BEAM SHALL BE PROVIDED AS UNDER :

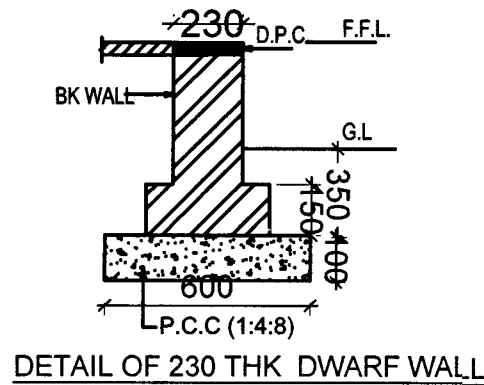


TYPICAL DETAIL OF INTERNAL PLINTH BEAM OR IN CASE OF PLINTH HEIGHT IS LESS THAN PLINTH BEAM

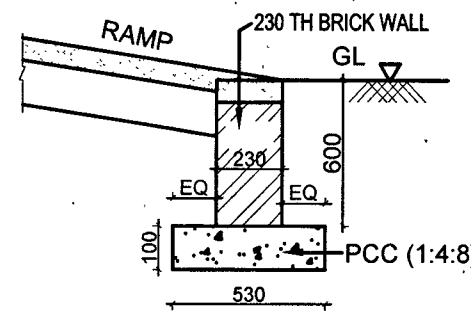


TYPICAL DETAIL OF PERIPHERY PLINTH BEAM WL1

104 B. DETAIL OF 230 TH DWARF WALL & TOE WALL FDN AS PER FIG AS BELOW..



DETAIL OF 230 THK DWARF WALL



TOE WALL FDN (BK WALL)

SNO.	DATE	DESCRIPTION	DY.DIR	DIR(DES)
				INITIAL

REVISIONS

DATE	30 MAY 2024
DRN	POOJA T
TCD	
CKD	
SCALE	AS SHOWN
SHT. SIZE	A3

**CHIEF ENGINEER
JALANDHAR ZONE**

TYPICAL R.C.C. DETAILS

Bansal
ADD (DESIGN)

SCH OF R.C.C. LINTELS, SECTIONS OF CHAJJA AND LINTEL

DRG. NO.

SHEET NO.

DIR (DESIGN)
FOR CHIEF ENGINEER

DRG NO CEJZ / STD-422/24

24/34